

Argani elettrici a fune

Electric wire rope winches

PULEGGE SNODATE TIPO PA

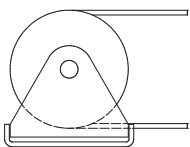
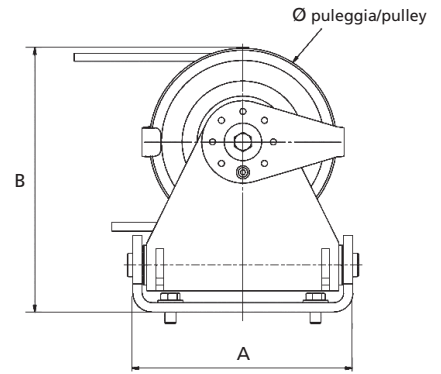
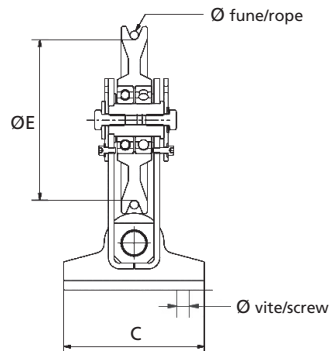
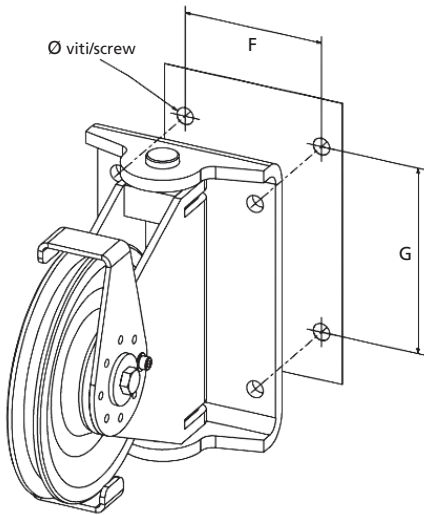
con supporto
per argani elettrici e manuali

ARTICULATED PULLEYS PA TYPE
with support plates
for electric and manual winches

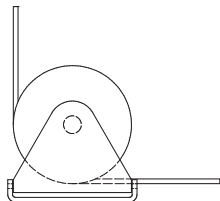
DATI TECNICI

TECHNICAL DATA

Codice Code	Per fune diametro For rope diameter mm	Portata max a 90° Max capacity at 90° kg	Portata max a 180° Max capacity at 180° kg	Dimensioni Dimensions						Viti Screws Ø mm	Diametro esterno External diameter mm	Peso Weight kg
				A mm	B mm	C mm	ØE mm	F mm	G mm			
PA 07	6 - 7	1400	1000	198	224	125	133	95	110	12	150	7
PA 09	8 - 9	2300	1600	247	282	150	172	115	155	14	200	13
PA 13	12 - 13	5700	4000	348	398	200	250	140	235	18	297	34
PA 16	15 - 16	7800	5500	434	493	240	320	170	300	23	375	63



Portata a 180°
Capacity at 180°



Portata a 90°
Capacity at 90°

