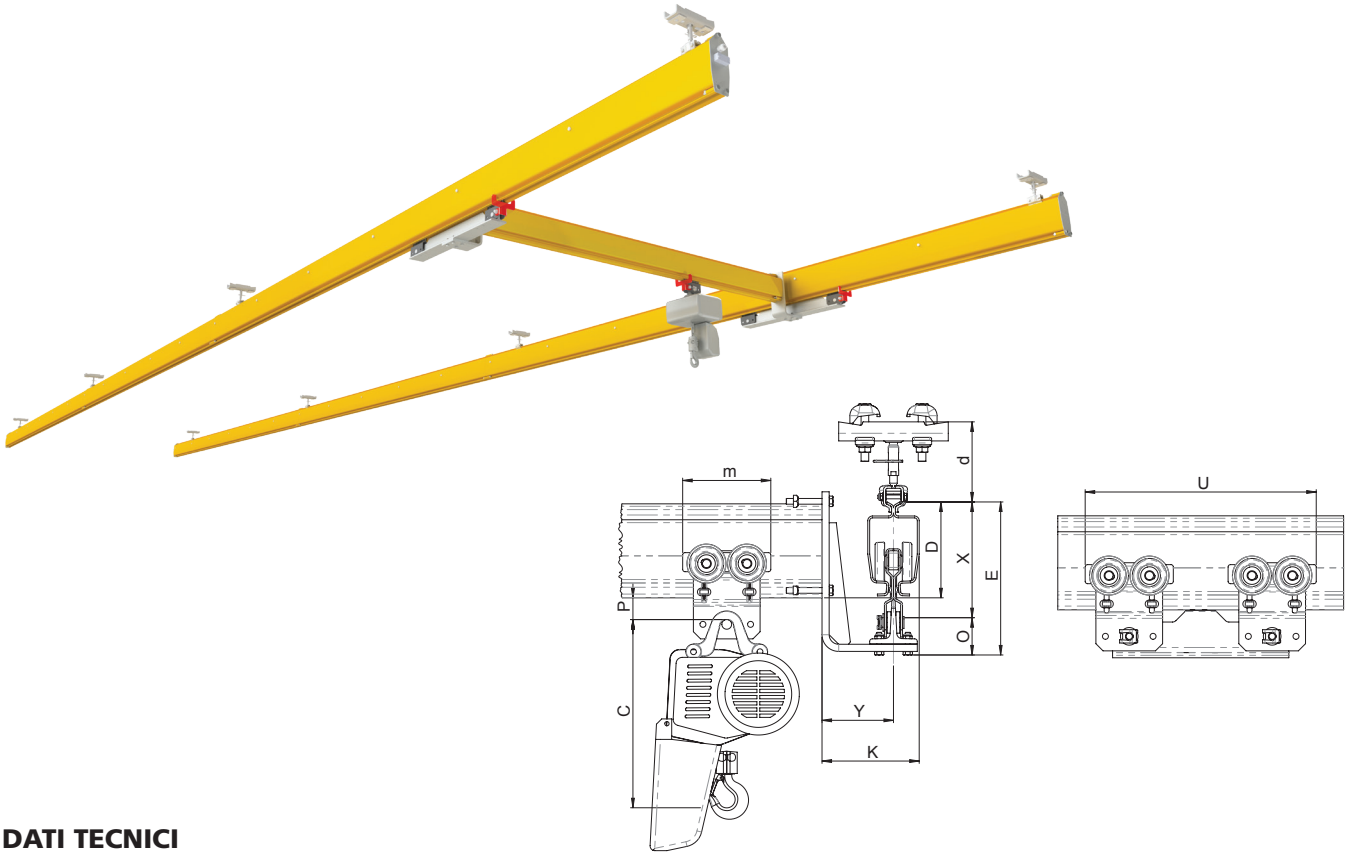


CARATTERISTICHE
SPECIFICATION

Prosystem® low headroom single and double girder cranes are the right choice when the lifting height has to be maximized. The bridge profiles are raised between the tracks profiles to increase lifting height.

Negli impianti sospesi ad ingombro ridotto il ponte dove scorre il paranco viene rialzato tra le vie di corsa consentendo di aumentare la corsa del gancio.

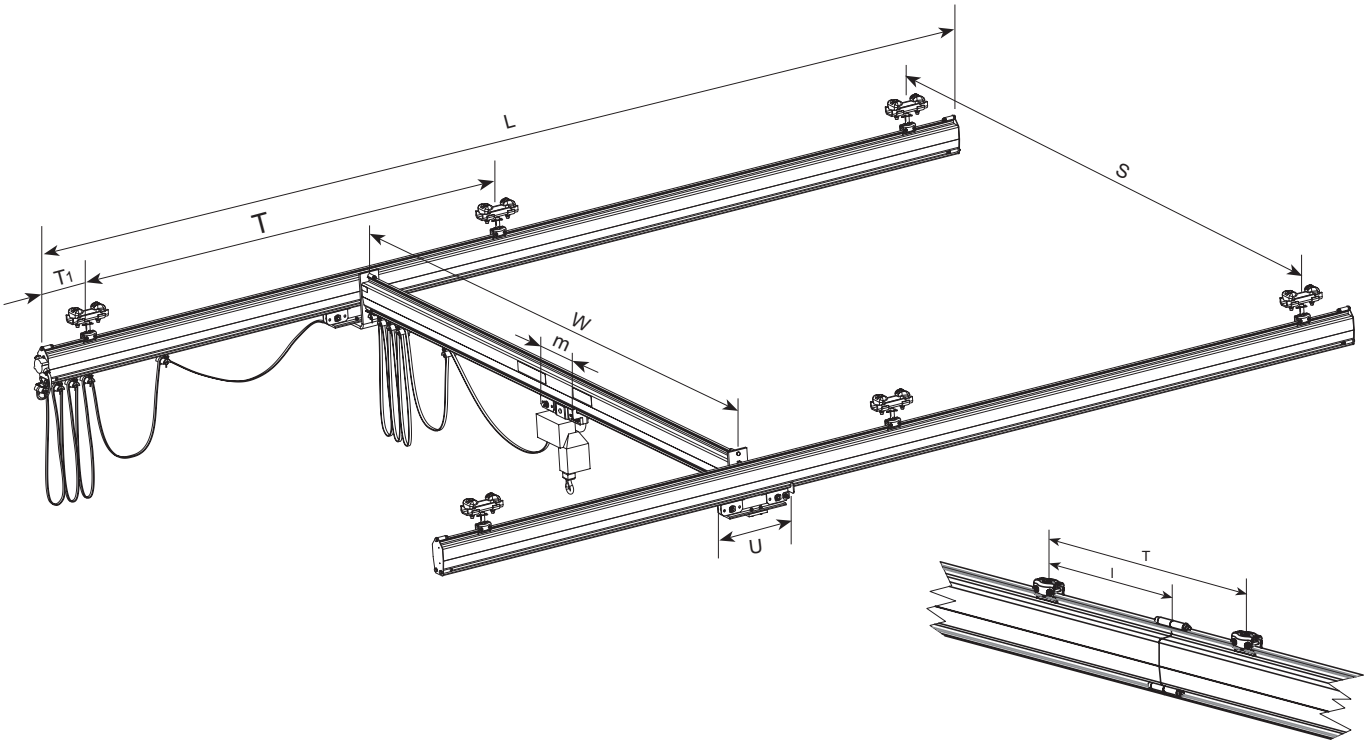


DATI TECNICI
TECHNICAL DATA

| Portata Capacity | Ponte Bridge | Scartamento Span | Dimensioni | | | | | | | | | | | | | | | | | | |
|---------------------|--------------------|---------------------|---------------------------------------|---------|---------|---------|---------------------------------------|---------|---------|---------|---------------------------------------|---------|---------|---------|---------|---------|---------|---------|----------|---------|---------|
| | | | Vie di corsa 125 Track profile 125 | | | | Vie di corsa 200 Track profile 200 | | | | Vie di corsa 260 Track profile 260 | | | | | | | | | | |
| Kg | Profilo Profile | S max mm | E mm | X mm | D mm | B mm | E mm | X mm | D mm | B mm | E mm | X mm | D mm | B mm | d mm | O mm | P mm | Y mm | K1 mm | C mm | m mm |
| 50 | 125 | 7050 | 233 | 166 | 133 | 174 | 310 | 243 | 210 | 246 | 370 | 303 | 270 | 306 | * | 67 | 41 | 100 | 133 | ** | 170 |
| 50 | 200 | 8000 | 236 | 166 | 124 | 169 | 313 | 243 | 201 | 246 | 373 | 303 | 261 | 306 | * | 70 | 46 | 150 | 205 | ** | 185 |
| 80 | 125 | 6350 | 233 | 166 | 133 | 174 | 310 | 243 | 210 | 246 | 370 | 303 | 270 | 306 | * | 67 | 41 | 100 | 133 | ** | 170 |
| 80 | 200 | 8000 | 236 | 166 | 124 | 169 | 313 | 243 | 201 | 246 | 373 | 303 | 261 | 306 | * | 70 | 46 | 150 | 205 | ** | 185 |
| 125 | 125 | 5500 | 233 | 166 | 133 | 174 | 310 | 243 | 210 | 246 | 370 | 303 | 270 | 306 | * | 67 | 41 | 100 | 133 | ** | 170 |
| 125 | 200 | 8000 | 236 | 166 | 124 | 169 | 313 | 243 | 201 | 246 | 373 | 303 | 261 | 306 | * | 70 | 46 | 150 | 205 | ** | 185 |
| 250 | 125 | 4300 | 233 | 166 | 133 | 174 | 310 | 243 | 210 | 246 | 370 | 303 | 270 | 306 | * | 67 | 41 | 100 | 133 | ** | 170 |
| 250 | 200 | 8000 | 236 | 166 | 124 | 169 | 313 | 243 | 201 | 246 | 373 | 303 | 261 | 306 | * | 70 | 46 | 150 | 205 | ** | 185 |
| 500 | 200 | 6600 | | | | | 313 | 243 | 201 | 246 | 373 | 303 | 261 | 306 | * | 70 | 46 | 150 | 205 | ** | 185 |
| 500 | 260 | 8000 | | | | | 313 | 243 | 201 | 246 | 373 | 303 | 261 | 306 | * | 70 | 46 | 150 | 205 | ** | 185 |
| 1000 | 200 | 4200 | | | | | 313 | 243 | 201 | 246 | 373 | 303 | 261 | 306 | * | 70 | 46 | 150 | 205 | ** | 485 |
| 1000 | 260 | 6500 | | | | | 313 | 243 | 201 | 246 | 373 | 303 | 261 | 306 | * | 70 | 46 | 150 | 205 | ** | 485 |
| 1500 | 200 | 2800 | | | | | 313 | 243 | 201 | 246 | 373 | 303 | 261 | 306 | * | 70 | 46 | 150 | 205 | ** | 485 |
| 1500 | 260 | 4400 | | | | | 313 | 243 | 201 | 246 | 373 | 303 | 261 | 306 | * | 70 | 46 | 150 | 205 | ** | 485 |

* Vedi da pagina 255 a 259 / See from page 255 to 259.

** In funzione del tipo di paranco / According to hoist type.



DATI TECNICI
TECHNICAL DATA

| Portata Capacity | Ponte Bridge | | Dimensioni Dimensions | | | | | | | | | | | |
|---------------------|--------------------|---------------------|---------------------------------------|-------------|-------------|---------------------------------------|-------------|-------------|---------------------------------------|-------------|-------------|-------------|--------------|---------|
| | Profilo Profile | Scartamento Span | Vie di corsa 125 Track profile 125 | | | Vie di corsa 200 Track profile 200 | | | Vie di corsa 260 Track profile 260 | | | W min mm | T1 max mm | U mm |
| | | | T max mm | I max mm | F max kN | T max mm | I max mm | F max kN | T max mm | I max mm | F max kN | | | |
| 50 | 125 | 7050 | 6250 | 3120 | 1,8 | 8000 | 4000 | 2,9 | 8000 | 4000 | 3,3 | S - 200 | U/2 | 985 |
| 50 | 200 | 8000 | 5600 | 2800 | 2,1 | 8000 | 4000 | 3,3 | 8000 | 4000 | 3,7 | S - 300 | U/2 | 985 |
| 80 | 125 | 6350 | 5900 | 2950 | 1,9 | 8000 | 4000 | 3,1 | 8000 | 4000 | 3,5 | S - 200 | U/2 | 985 |
| 80 | 200 | 8000 | 5100 | 2550 | 2,5 | 8000 | 4000 | 3,7 | 8000 | 4000 | 4,1 | S - 300 | U/2 | 985 |
| 125 | 125 | 5500 | 5100 | 2550 | 2,5 | 8000 | 4000 | 3,7 | 8000 | 4000 | 4,1 | S - 200 | U/2 | 985 |
| 125 | 200 | 8000 | 4700 | 2350 | 2,8 | 8000 | 4000 | 4,1 | 8000 | 4000 | 4,5 | S - 300 | U/2 | 985 |
| 250 | 125 | 4300 | | | | 8000 | 4000 | 4,9 | 8000 | 4000 | 5,3 | S - 200 | U/2 | 985 |
| 250 | 200 | 8000 | | | | 7750 | 3870 | 5,3 | 8000 | 4000 | 5,7 | S - 300 | U/2 | 985 |
| 500 | 200 | 6600 | | | | 6300 | 2100 | 7,3 | 8000 | 2660 | 8,1 | S - 300 | U/2 | 985 |
| 500 | 260 | 8000 | | | | 6200 | 2060 | 7,5 | 8000 | 2660 | 8,3 | S - 300 | U/2 | 985 |
| 1000 | 200 | 4200 | | | | 4200 | 1050 | 11,7 | 6600 | 1320 | 12,5 | S - 300 | U/2 | 985 |
| 1000 | 260 | 6500 | | | | 4100 | 1020 | 12,1 | 6400 | 1280 | 12,9 | S - 300 | U/2 | 985 |
| 1500 | 200 | 2800 | | | | 2850 | 950 | 16,8 | 4500 | 1120 | 17,4 | S - 300 | U/2 | 985 |
| 1500 | 260 | 4400 | | | | 2800 | 930 | 17 | 4450 | 1110 | 17,6 | S - 300 | U/2 | 985 |

Scartamenti superiori a richiesta.
Longer spans upon demand.