

### CARATTERISTICHE SPECIFICATION

Portable gantry system for lifting up to 3000 kg or fall arrester protection up to 5 persons as EN 795/B and PD CEN/TS16415:2013 anchor system.

- Double capacity for lifting goods e persons:
  - Lifting goods up to 3000 kg
  - Lifting persons up to 1000 kg
- Fall arrester protection: up to 5 persons
- 360° swivel-locking castors as standard.
- Simple, manual height and span adjustment
- Corrosion resistant, anodized finish - easy to clean and suitable for cleanroom applications
- Flat packaging for transport and storage
- Norms: **CE** EN 795/B - 2006/42/EC  
PD CEN/TS16415:2013
- ATEX Zone 2 certification

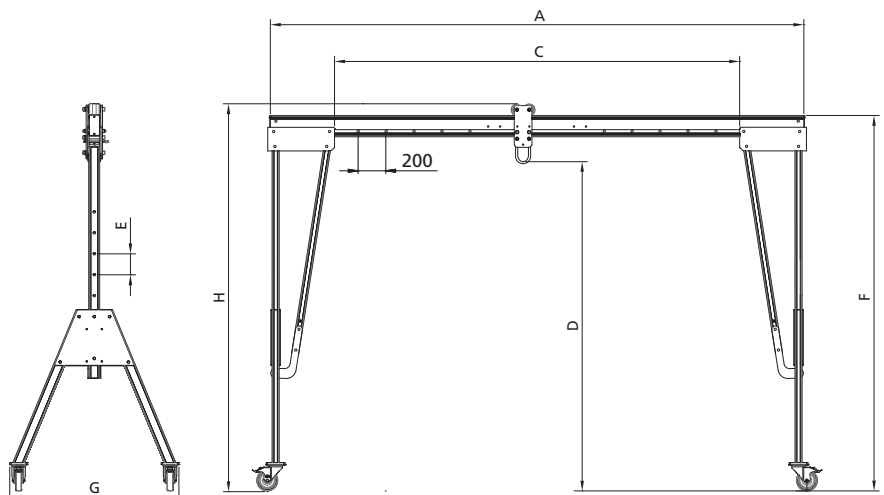
Sistema portatile per il sollevamento fino a 3000 kg oppure per sollevare e proteggere fino a 5 persone come ancoraggio EN 795/B e PD CEN/TS16415:2013.

- Doppia portata per sollevamento materiale e persone:
  - Sollevamento materiale fino a 3000 kg
  - Sollevamento per persone fino a 1000 kg
- Protezione contro le cadute dall'alto: fino a 5 persone
- Ruote girevoli a 360° bloccabili come standard per un facile posizionamento
- Semplice regolazione manuale in altezza e larghezza
- Imballo piatto per il trasporto e lo stoccaggio
- Resistente alla corrosione, finitura anodizzata - facile da pulire ed adatto per applicazioni in camera bianca
- Norme: **CE** EN 795/B - 2006/42/CE - PD CEN/TS16415:2013
- Certificazione ATEX Zona 2



ATEX ZONE 2

Sollevamento materiale Goods lifting	Portata WLL		Arresto caduta Fall arrester
	kg	kg	
3000	1000		N° di persone N° of persons 5



### DATI TECNICI

TECHNICAL DATA



Codice Code	Altezza punto di attacco Max height to lifting eye		Incremento altezza Height increment	Altezza max. trave Max height to top of beam	Altezza max. parte superiore carrello Height to top of roller		Trave Beam			Larghezza Width	Peso spalla Frame weight	Peso trave Beam weight	Dimen. ruote Gantry Gantry wheel dimensions	Dimen. ruote carrello superiore Upper carriage wheel dimensions		
	D max mm	D min mm			E mm	F max mm	H max mm	H min mm	A mm						C max mm	C min mm
D max = 2410 mm	PGSS03000S-2500A	2410	1660	5 x 150		2730	2812	2062	2500	1580	1180	1212	56	19	200	82
	PGSS03000S-3000A	2410	1660	5 x 150		2730	2812	2062	3000	2080	1680	1212	56	22	200	82
	PGSS03000S-3920B	2410	1660	5 x 150		2730	2812	2062	3920	3000	2200	1212	56	37	200	82
	PGSS03000S-4570B	2410	1660	5 x 150		2730	2812	2062	4570	3650	2050	1212	56	43	200	82
	PGSS03000S-5500D	2410	1660	5 x 150		2773	2812	2062	5500	4580	2980	1212	56	85	200	125
	PGSS03000S-6000D	2410	1660	5 x 150		2773	2812	2062	6000	5080	3480	1212	56	93	200	125
	PGSS03000S-8400D	2410	1660	5 x 150		2773	2812	2062	8400	7480	5880	1212	56	130	200	125
D max = 2906 mm	PGSS03000M-2500A	2906	2156	5 x 150		3226	3308	2558	2500	1580	1180	1429	61	19	200	82
	PGSS03000M-3000A	2906	2156	5 x 150		3226	3308	2558	3000	2080	1680	1429	61	22	200	82
	PGSS03000M-3920B	2906	2156	5 x 150		3226	3308	2558	3920	3000	2200	1429	61	37	200	82
	PGSS03000M-4570B	2906	2156	5 x 150		3226	3308	2558	4570	3650	2050	1429	61	43	200	82
	PGSS03000M-5500D	2906	2156	5 x 150		3269	3308	2558	5500	4580	2980	1429	61	85	200	125
	PGSS03000M-6000D	2906	2156	5 x 150		3269	3308	2558	6000	5080	3480	1429	61	93	200	125
	PGSS03000M-8400D	2906	2156	5 x 150		3269	3308	2558	8400	7480	5880	1429	61	130	200	125
D max = 3188 mm	PGSS03000I-2500A	3188	2188	5 x 200		3499	3581	2581	2500	1580	1180	1726	73	19	200	82
	PGSS03000I-3000A	3188	2188	5 x 200		3499	3581	2581	3000	2080	1680	1726	73	22	200	82
	PGSS03000I-3920B	3188	2188	5 x 200		3499	3581	2581	3920	3000	2200	1726	73	37	200	82
	PGSS03000I-4570B	3188	2188	5 x 200		3499	3581	2581	4570	3650	2050	1726	73	43	200	82
	PGSS03000I-5500D	3188	2188	5 x 200		3542	3581	2581	6000	4580	2980	1726	73	85	200	125
	PGSS03000I-6000D	3188	2188	5 x 200		3542	3581	2581	7000	5080	3480	1726	73	93	200	125
	PGSS03000I-8400D	3188	2188	5 x 200		3542	3581	2581	8400	7480	5880	1726	73	130	200	125
D max = 4079 mm	PGSS03000T-2500A	4079	2879	6 x 200		4399	4481	3281	2500	1580	1180	2011	85	19	200	82
	PGSS03000T-3000A	4079	2879	6 x 200		4399	4481	3281	3000	2080	1680	2011	85	22	200	82
	PGSS03000T-3920B	4079	2879	6 x 200		4399	4481	3281	3920	3000	2200	2011	85	37	200	82
	PGSS03000T-4570B	4079	2879	6 x 200		4399	4481	3281	4570	3650	2050	2011	85	43	200	82
	PGSS03000T-5500D	4079	2879	6 x 200		4442	4481	3281	5500	4580	2980	2011	85	85	200	125
	PGSS03000T-6000D	4079	2879	6 x 200		4442	4481	3281	6000	5080	3480	2011	85	93	200	125
	PGSS03000T-8400D	4079	2879	6 x 200		4442	4481	3281	8400	7480	5880	2011	85	130	200	125
D max = 4527 mm	PGSS03000TC4-2500A	4527	3327	6 x 200		4847	4930	3730	2500	1580	1180	2234	86	19	200	82
	PGSS03000TC4-3000A	4527	3327	6 x 200		4847	4930	3730	3000	2080	1680	2234	86	22	200	82
	PGSS03000TC4-3920B	4527	3327	6 x 200		4847	4930	3730	3920	3000	2200	2234	86	37	200	82
	PGSS03000TC4-4570B	4527	3327	6 x 200		4847	4930	3730	4570	3650	2050	2234	86	43	200	82
	PGSS03000TC4-5500D	4527	3327	6 x 200		4890	4930	3730	5500	4580	2980	2234	86	85	200	125
	PGSS03000TC4-6000D	4527	3327	6 x 200		4890	4930	3730	6000	5080	3480	2234	86	93	200	125
	PGSS03000TC4-8400D	4527	3327	6 x 200		4890	4930	3730	8400	7480	5880	2234	86	130	200	125
D max = 5027 mm	PGSS03000TC3-2500A	5027	3827	6 x 200		5347	5430	4230	2500	1580	1180	2557	91	19	200	82
	PGSS03000TC3-3000A	5027	3827	6 x 200		5347	5430	4230	3000	2080	1680	2557	91	22	200	82
	PGSS03000TC3-3920B	5027	3827	6 x 200		5347	5430	4230	3920	3000	2200	2557	91	37	200	82
	PGSS03000TC3-4570B	5027	3827	6 x 200		5347	5430	4230	4570	3650	2050	2557	91	43	200	82
	PGSS03000TC3-5500D	5027	3827	6 x 200		5390	5430	4230	5500	4580	2980	2557	91	85	200	125
	PGSS03000TC3-6000D	5027	3827	6 x 200		5390	5430	4230	6000	5080	3480	2557	91	93	200	125
	PGSS03000TC3-8400D	5027	3827	6 x 200		5390	5430	4230	8400	7480	5880	2557	91	130	200	125
D max = 5527 mm	PGSS03000TC2-2500A	5527	3927	8 x 200		5848	5930	4330	2500	1580	1180	2733	97	19	200	82
	PGSS03000TC2-3000A	5527	3927	8 x 200		5848	5930	4330	3000	2080	1680	2733	97	22	200	82
	PGSS03000TC2-3920B	5527	3927	8 x 200		5848	5930	4330	3920	3000	2200	2733	97	37	200	82
	PGSS03000TC2-4570B	5527	3927	8 x 200		5848	5930	4330	4570	3650	2050	2733	97	43	200	82
	PGSS03000TC2-5500D	5527	3927	8 x 200		5891	5930	4330	6000	4580	2980	2733	97	85	200	125
	PGSS03000TC2-6000D	5527	3927	8 x 200		5891	5930	4330	7000	5080	3480	2733	97	93	200	125
	PGSS03000TC2-8400D	5527	3927	8 x 200		5891	5930	4330	8400	7480	5880	2733	97	130	200	125