

### CARATTERISTICHE SPECIFICATION

Portable gantry system for lifting up to 2000 kg or fall arrester protection up to 5 persons as EN 795/B and PD CEN/TS16415:2013 anchor system.

- Double capacity for lifting goods e persons:
  - Lifting goods up to 2000 kg
  - Lifting persons up to 750 kg
- Fall arrester protection: up to 5 persons
- 360° swivel-locking castors as standard.
- Simple, manual height and span adjustment
- Corrosion resistant, anodized finish - easy to clean and suitable for cleanroom applications
- Flat packaging for transport and storage
- Norms: **CE** EN 795/B - 2006/42/EC  
PD CEN/TS16415:2013
- ATEX Zone 2 certification

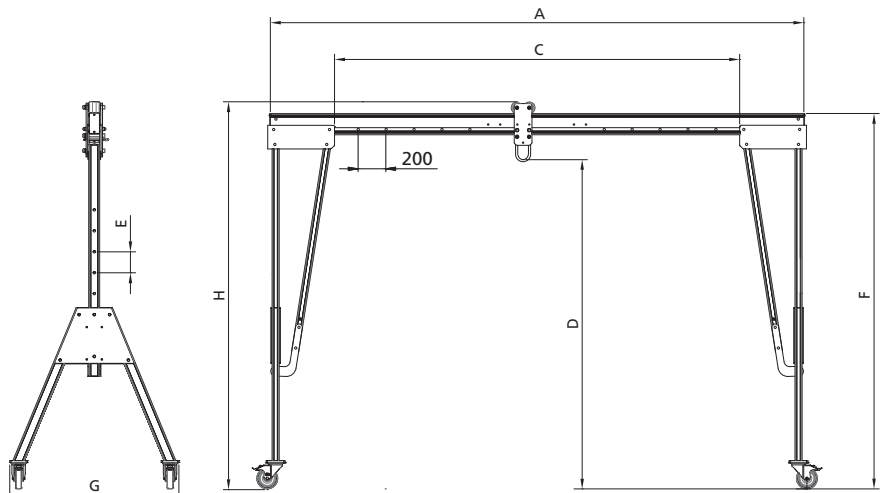
Sistema portatile per il sollevamento fino a 2000 kg oppure per sollevare e proteggere fino a 5 persone come ancoraggio EN 795/B e PD CEN/TS16415:2013.

- Doppia portata per sollevamento materiale e persone:
  - Sollevamento materiale fino a 2000 kg
  - Sollevamento per persone fino a 750 kg
- Protezione contro le cadute dall'alto: fino a 5 persone
- Ruote girevoli a 360° bloccabili come standard per un facile posizionamento
- Semplice regolazione manuale in altezza e larghezza
- Imballo piatto per il trasporto e lo stoccaggio
- Resistente alla corrosione, finitura anodizzata - facile da pulire ed adatto per applicazioni in camera bianca
- Norme: **CE** EN 795/B - 2006/42/CE - PD CEN/TS16415:2013
- Certificazione ATEX Zona 2



ATEX ZONE 2

Sollevamento materiale Goods lifting	Portata WLL		Arresto caduta Fall arrester
	kg	kg	
2000	750		N° di persone N° of persons 5



### DATI TECNICI

TECHNICAL DATA



Codice Code	Altezza punto di attacco Max height to lifting eye		Incremento altezza Height increment	Altezza max. trave Max height to top of beam	Altezza max. parte superiore carrello Height to top of roller		Trave Beam			Larghezza Width	Peso spalla Frame weight	Peso trave Beam weight	Dimen. ruote Gantry Gantry wheel dimensions	Dimen. ruote carrello superiore Upper carriage wheel dimensions	
	D max mm	D min mm			E mm	F max mm	H max mm	H min mm	A mm						C max mm
D max = 2355 mm	PGSS02000S-2500A	2355	1605	5 x 150	2675	2757	2007	2500	1580	1180	1212	32	19	150	82
	PGSS02000S-3000A	2355	1605	5 x 150	2675	2757	2007	3000	2080	1680	1212	32	22	150	82
	PGSS02000S-3920A	2355	1605	5 x 150	2675	2757	2007	3920	3000	2200	1212	32	29	150	82
	PGSS02000S-4570A	2355	1605	5 x 150	2675	2757	2007	4570	3650	2050	1212	32	34	150	82
	PGSS02000S-5500B	2355	1605	5 x 150	2675	2757	2007	5500	4580	2980	1212	32	52	150	82
	PGSS02000S-6000D	2355	1605	5 x 150	2718	2757	2007	6000	5080	3480	1212	32	93	150	125
PGSS02000S-8400D	2355	1605	5 x 150	2718	2757	2007	8400	7480	5880	1212	32	130	150	125	
D max = 2851 mm	PGSS02000M-2500A	2851	2101	5 x 150	3171	3253	2503	2500	1580	1180	1429	42	19	150	82
	PGSS02000M-3000A	2851	2101	5 x 150	3171	3253	2503	3000	2080	1680	1429	42	22	150	82
	PGSS02000M-3920A	2851	2101	5 x 150	3171	3253	2503	3920	3000	2200	1429	42	29	150	82
	PGSS02000M-4570A	2851	2101	5 x 150	3171	3253	2503	4570	3650	2050	1429	42	34	150	82
	PGSS02000M-5500B	2851	2101	5 x 150	3171	3253	2503	5500	4580	2980	1429	42	52	150	82
	PGSS02000M-6000D	2851	2101	5 x 150	3214	3253	2503	6000	5080	3480	1429	42	93	150	125
PGSS02000M-8400D	2851	2101	5 x 150	3214	3253	2503	8400	7480	5880	1429	42	130	150	125	
D max = 3188 mm	PGSS02000I-2500A	3188	2188	5 x 200	3499	3581	2581	2500	1580	1180	1726	50	19	200	82
	PGSS02000I-3000A	3188	2188	5 x 200	3499	3581	2581	3000	2080	1680	1726	50	22	200	82
	PGSS02000I-3920A	3188	2188	5 x 200	3499	3581	2581	3920	3000	2200	1726	50	29	200	82
	PGSS02000I-4570A	3188	2188	5 x 200	3499	3581	2581	4570	3650	2050	1726	50	34	200	82
	PGSS02000I-5500B	3188	2188	5 x 200	3499	3581	2581	6000	4580	2980	1726	50	52	200	82
	PGSS02000I-6000D	3188	2188	5 x 200	3542	3581	2581	7000	5080	3480	1726	50	93	200	125
PGSS02000I-8400D	3188	2188	5 x 200	3542	3581	2581	8400	7480	5880	1726	50	130	200	125	
D max = 4079 mm	PGSS02000T-2500A	4079	2879	6 x 200	4399	4481	3281	2500	1580	1180	2011	56	19	200	82
	PGSS02000T-3000A	4079	2879	6 x 200	4399	4481	3281	3000	2080	1680	2011	56	22	200	82
	PGSS02000T-3920A	4079	2879	6 x 200	4399	4481	3281	3920	3000	2200	2011	56	29	200	82
	PGSS02000T-4570A	4079	2879	6 x 200	4399	4481	3281	4570	3650	2050	2011	56	34	200	82
	PGSS02000T-5500B	4079	2879	6 x 200	4399	4481	3281	5500	4580	2980	2011	56	52	200	82
	PGSS02000T-6000D	4079	2879	6 x 200	4442	4481	3281	6000	5080	3480	2011	56	93	200	125
PGSS02000T-8400D	4079	2879	6 x 200	4442	4481	3281	8400	7480	5880	2011	56	130	200	125	
D max = 4527 mm	PGSS02000TC4-2500A	4527	3327	6 x 200	4847	4930	3730	2500	1580	1180	2234	86	19	200	82
	PGSS02000TC4-3000A	4527	3327	6 x 200	4847	4930	3730	3000	2080	1680	2234	86	22	200	82
	PGSS02000TC4-3920A	4527	3327	6 x 200	4847	4930	3730	3920	3000	2200	2234	86	29	200	82
	PGSS02000TC4-4570A	4527	3327	6 x 200	4847	4930	3730	4570	3650	2050	2234	86	34	200	82
	PGSS02000TC4-5500B	4527	3327	6 x 200	4847	4930	3730	5500	4580	2980	2234	86	52	200	82
	PGSS02000TC4-6000D	4527	3327	6 x 200	4890	4930	3730	6000	5080	3480	2234	86	93	200	125
PGSS02000TC4-8400D	4527	3327	6 x 200	4890	4930	3730	8400	7480	5880	2234	86	130	200	125	
D max = 5027 mm	PGSS02000TC3-2500A	5027	3827	6 x 200	5347	5430	4230	2500	1580	1180	2557	91	19	200	82
	PGSS02000TC3-3000A	5027	3827	6 x 200	5347	5430	4230	3000	2080	1680	2557	91	22	200	82
	PGSS02000TC3-3920A	5027	3827	6 x 200	5347	5430	4230	3920	3000	2200	2557	91	29	200	82
	PGSS02000TC3-4570A	5027	3827	6 x 200	5347	5430	4230	4570	3650	2050	2557	91	34	200	82
	PGSS02000TC3-5500B	5027	3827	6 x 200	5347	5430	4230	5500	4580	2980	2557	91	52	200	82
	PGSS02000TC3-6000D	5027	3827	6 x 200	5390	5430	4230	6000	5080	3480	2557	91	93	200	125
PGSS02000TC3-8400D	5027	3827	6 x 200	5390	5430	4230	8400	7480	5880	2557	91	130	200	125	
D max = 5527 mm	PGSS02000TC2-2500A	5527	3927	8 x 200	5848	5930	4330	2500	1580	1180	2733	97	19	200	82
	PGSS02000TC2-3000A	5527	3927	8 x 200	5848	5930	4330	3000	2080	1680	2733	97	22	200	82
	PGSS02000TC2-3920A	5527	3927	8 x 200	5848	5930	4330	3920	3000	2200	2733	97	29	200	82
	PGSS02000TC2-4570A	5527	3927	8 x 200	5848	5930	4330	4570	3650	2050	2733	97	34	200	82
	PGSS02000TC2-5500B	5527	3927	8 x 200	5848	5930	4330	6000	4580	2980	2733	97	52	200	82
	PGSS02000TC2-6000D	5527	3927	8 x 200	5891	5930	4330	7000	5080	3480	2733	97	93	200	125
PGSS02000TC2-8400D	5527	3927	8 x 200	5891	5930	4330	8400	7480	5880	2733	97	130	200	125	
D max = 5829 mm	PGSS02000TC1-2500A	5829	4029	9 x 200	6149	6231	4431	2500	1580	1180	2733	102	19	200	82
	PGSS02000TC1-3000A	5829	4029	9 x 200	6149	6231	4431	3000	2080	1680	2733	102	22	200	82
	PGSS02000TC1-3920A	5829	4029	9 x 200	6149	6231	4431	3920	3000	2200	2733	102	29	200	82
	PGSS02000TC1-4570A	5829	4029	9 x 200	6149	6231	4431	4570	3650	2050	2733	102	34	200	82
	PGSS02000TC1-5500B	5829	4029	9 x 200	6149	6231	4431	5500	4580	2980	2733	102	52	200	82
	PGSS02000TC1-6000D	5829	4029	9 x 200	6192	6231	4431	6000	5080	3480	2733	102	93	200	125
PGSS02000TC1-8400D	5829	4029	9 x 200	6192	6231	4431	8400	7480	5880	2733	102	130	200	125	