

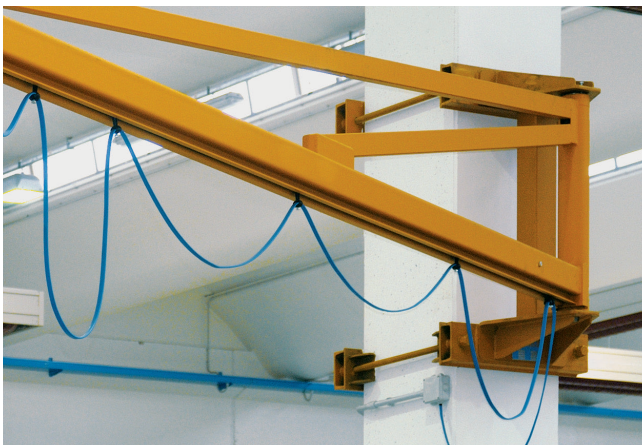
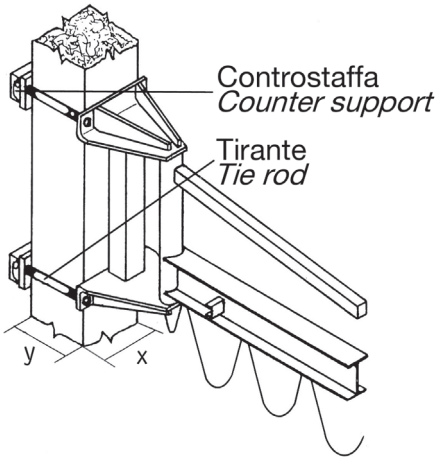
Gru a bandiera a mensola

Wall mounted jib cranes

CARATTERISTICHE SPECIFICATION

The wall-mounted cranes are anchored to the pillar by means of tie rods and counter supports.
Upon request, FAS produces brackets for anchoring on the edge of the pillar or custom counter supports.
When ordering, always specify x and y dimensions.

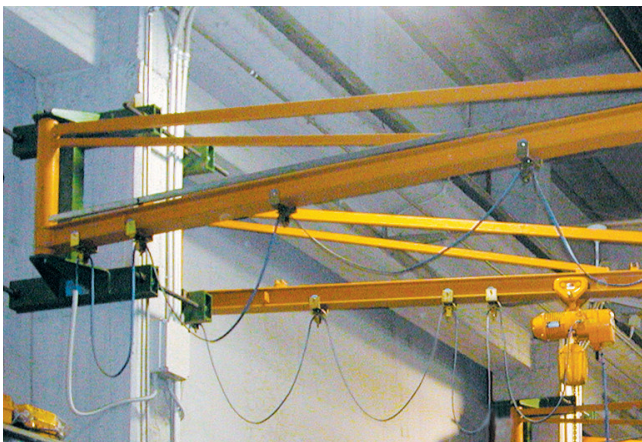
Le gru a mensola vengono vincolate al pilastro mediante tiranti e controstaffe.
Su richiesta, FAS realizza mensole per imbragature sullo spigolo del pilastro o controstaffe particolari.
In fase di ordine, indicare sempre le misure x e y.



Imbragatura standard.
Standard anchoring.



Imbragatura su spigolo.
Edge anchoring.



2 gru imbragate contrapposte.
2 cranes harnessed together.



Imbragatura mediante tasselli chimici.
Chemical bolts anchoring.



GRU A BANDIERA
JIB CRANES